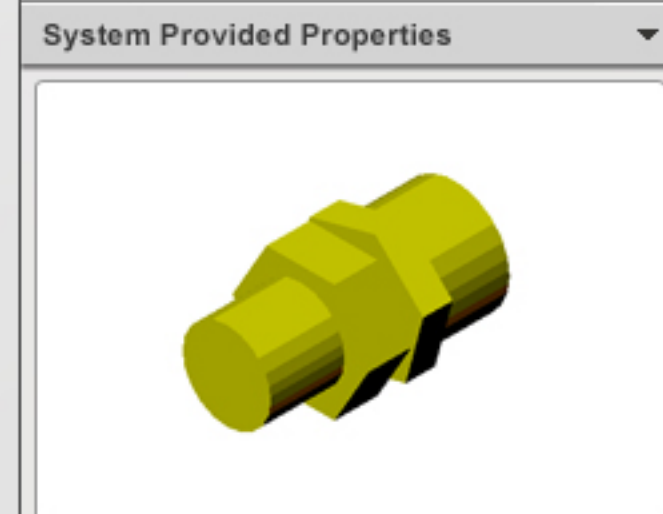


Actions

Icons for various actions: expand/collapse, lock, unlock, refresh, save, print, and help.

System Provided Properties

Information icons: info, comment, flag, user.



Editable Properties

Part Number:

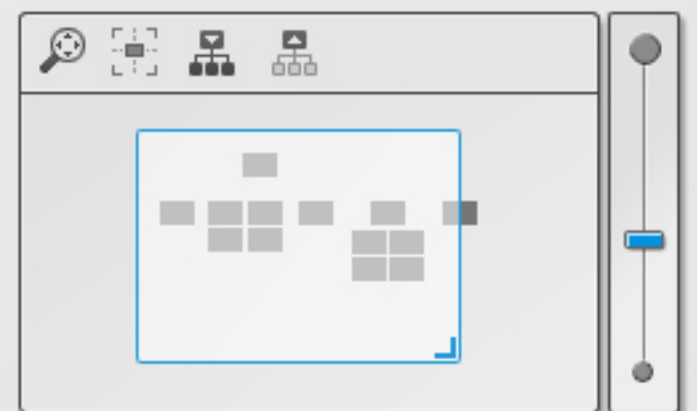
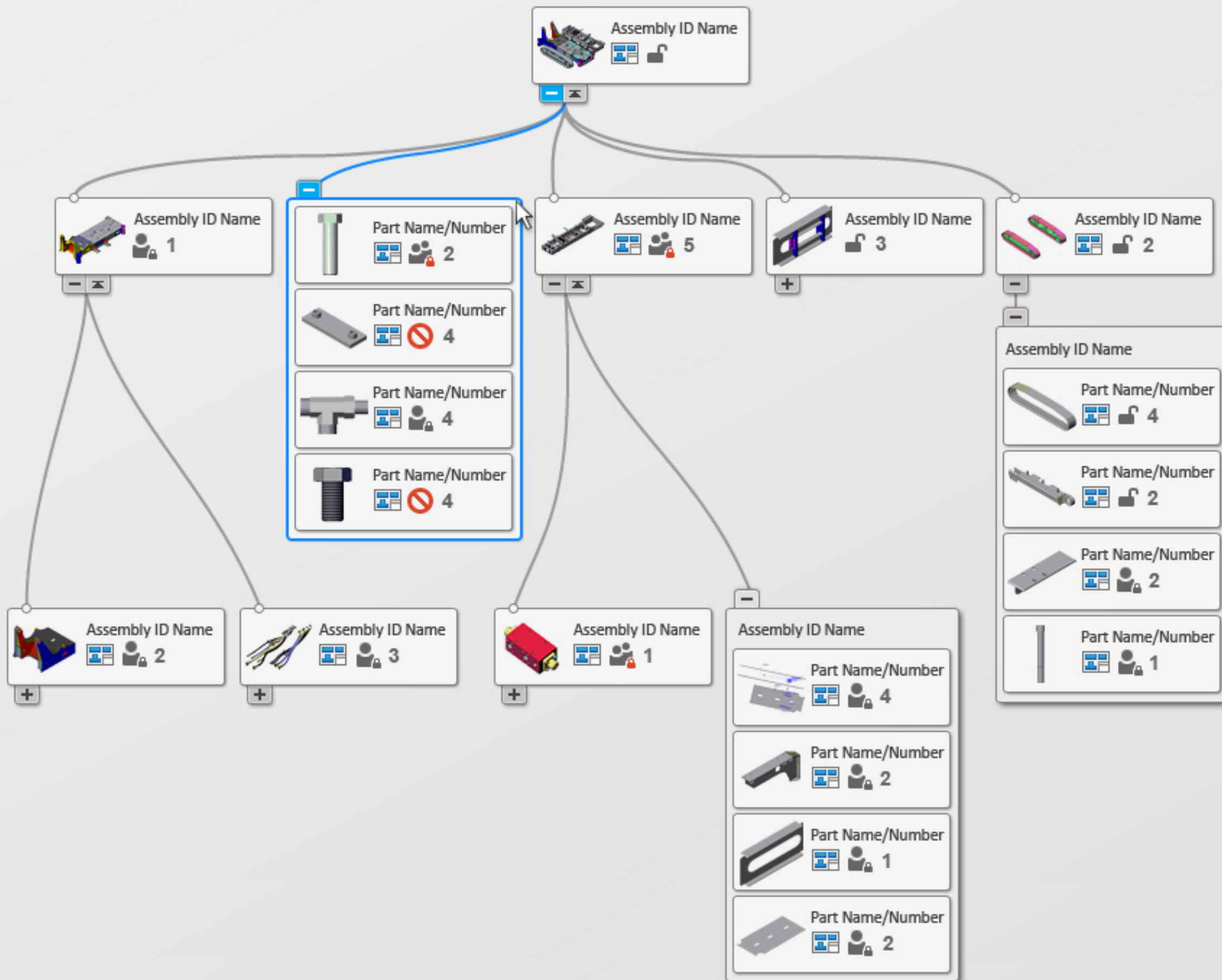
Content Name:

Content Description:

Read Only Properties

Creator: Jane Doe
Created on: 2011 Mar 1, 11:21:24 AM
Version: 15 of 15
Published on: 2011 Sept 15, 3:52:15 PM
Locked by: Not currently locked
Size: 332.5 KB

Customer Properties >

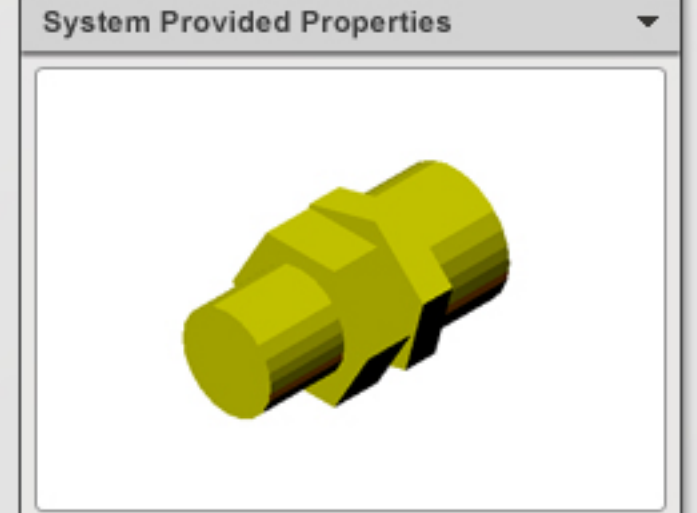


Actions

Icons for various actions: expand/collapse, lock, unlock, refresh, delete, and other utility icons.

System Provided Properties

Information icons: help, comment, flag, and user profile.



Editable Properties

Part Number:

Content Name:

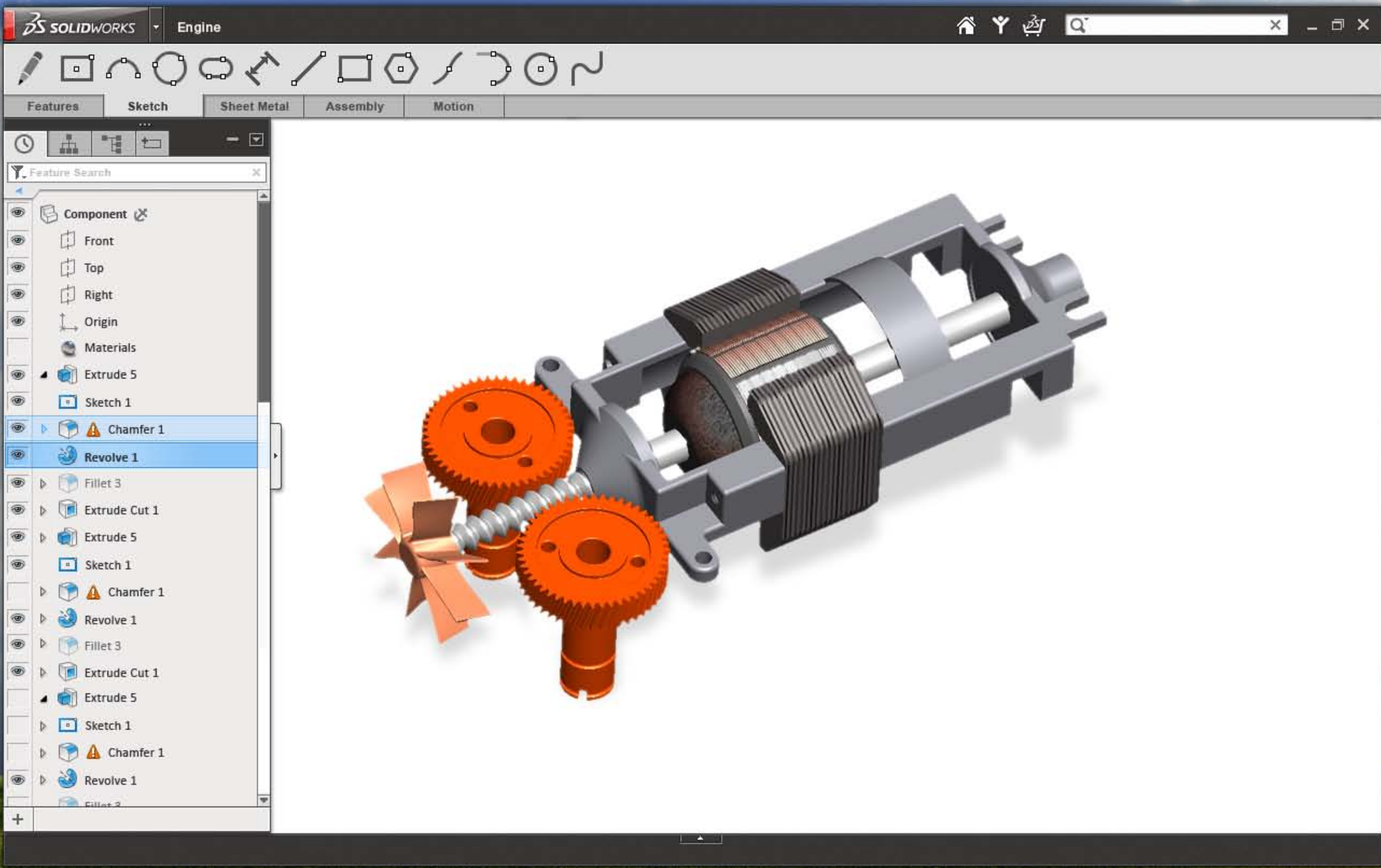
Content Description:

Buttons: Save, Cancel

Read Only Properties

Creator: Jane Doe
Created on: 2011 Mar 1, 11:21:24 AM
Version: 15 of 15
Published on: 2011 Sept 15, 3:52:15 PM
Locked by: Not currently locked
Size: 332.5 KB

Customer Properties >



Features Sketch Sheet Metal Assembly Motion

- Feature Search
- Component
 - Front
 - Top
 - Right
 - Origin
 - Materials
 - Extrude 5
 - Sketch 1
 - Chamfer 1
 - Revolve 1**
 - Fillet 3
 - Extrude Cut 1
 - Extrude 5
 - Sketch 1
 - Chamfer 1
 - Revolve 1
 - Fillet 3
 - Extrude Cut 1
 - Extrude 5
 - Sketch 1
 - Chamfer 1
 - Revolve 1
 - Fillet 2

